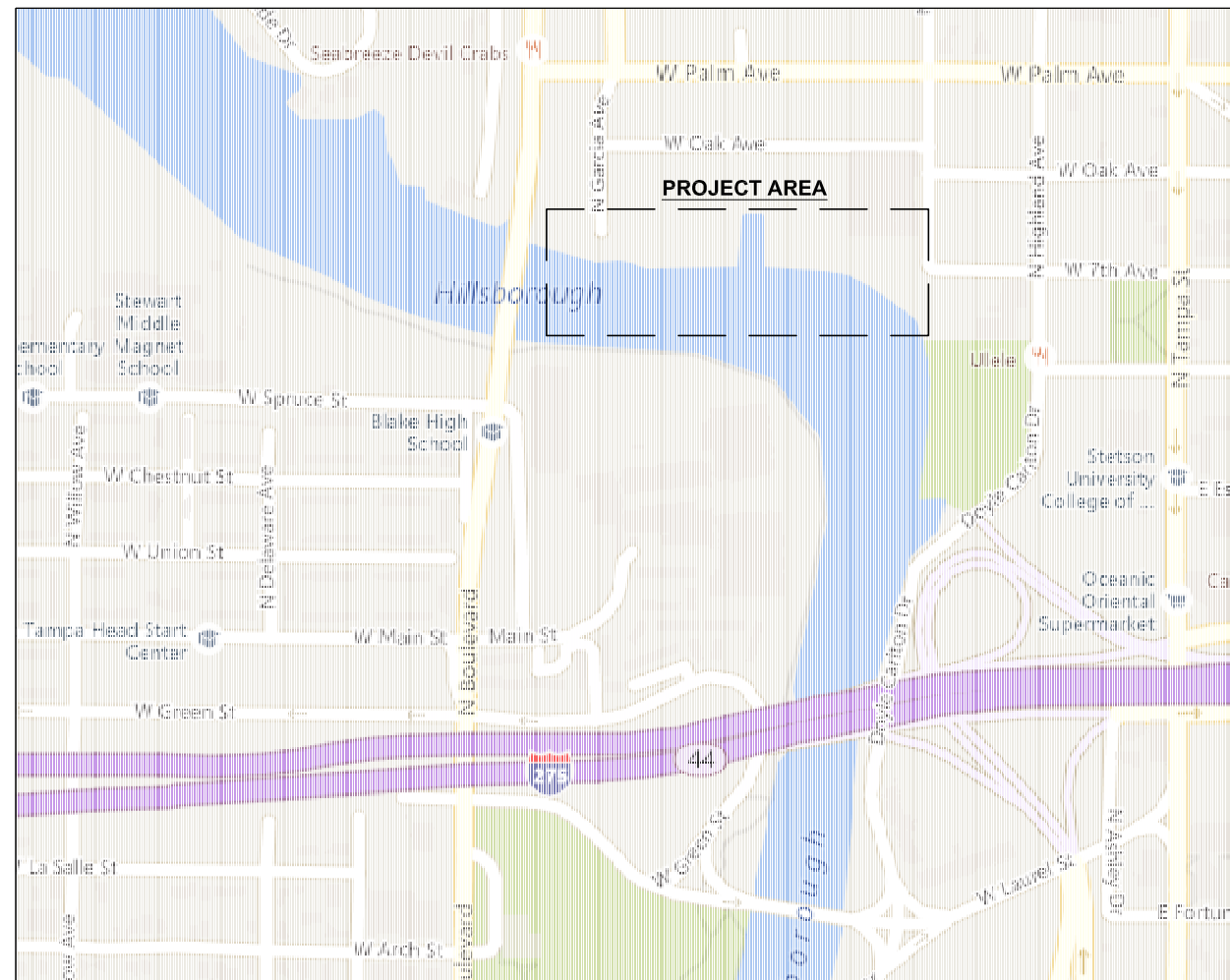
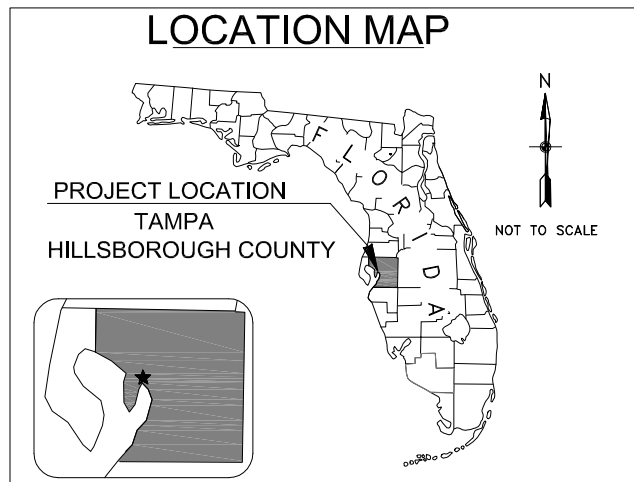


TAMPA HEIGHTS

SHORE PROTECTION AND DOCKING FACILITY

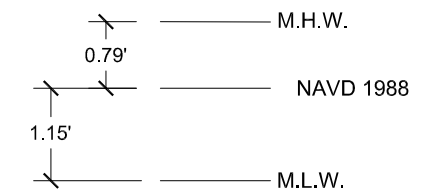
**TOWNSHIP 29S, RANGE 18E, SECTION 13
TAMPA, FL**



SHEET INDEX

1. COVER SHEET & LOCATION MAP
2. SITE PLAN - EXISTING CONDITIONS
3. OVERVIEW MAP
4. SITE PLAN - DREDGING
5. DREDGING SECTIONS
6. DREDGING SECTIONS
7. SITE PLAN - FLOATING DOCK
8. FLOATING DOCK DETAILS
9. SITE PLAN - TRANSIT DOCK
10. SITE PLAN & DETAILS - REVETMENT
11. SITE PLAN & DETAILS - PIER
12. SITE PLAN - SEAWALL
13. SEAWALL CROSS SECTION

TIDE INFORMATION



RELATIONSHIP BETWEEN NAVD 1988,
MEAN HIGH WATER, AND MEAN LOW
WATER, TIDAL DATUM (1983-2001
EPOCH)

PERMIT PLANS
NOT FOR CONSTRUCTION

NOTE:
1. TIDE INFORMATION OBTAINED FROM TIDE STATION I.D 640

**COVER PAGE
&
LOCATION MAP**

Reuben//Clarson
CONSULTING

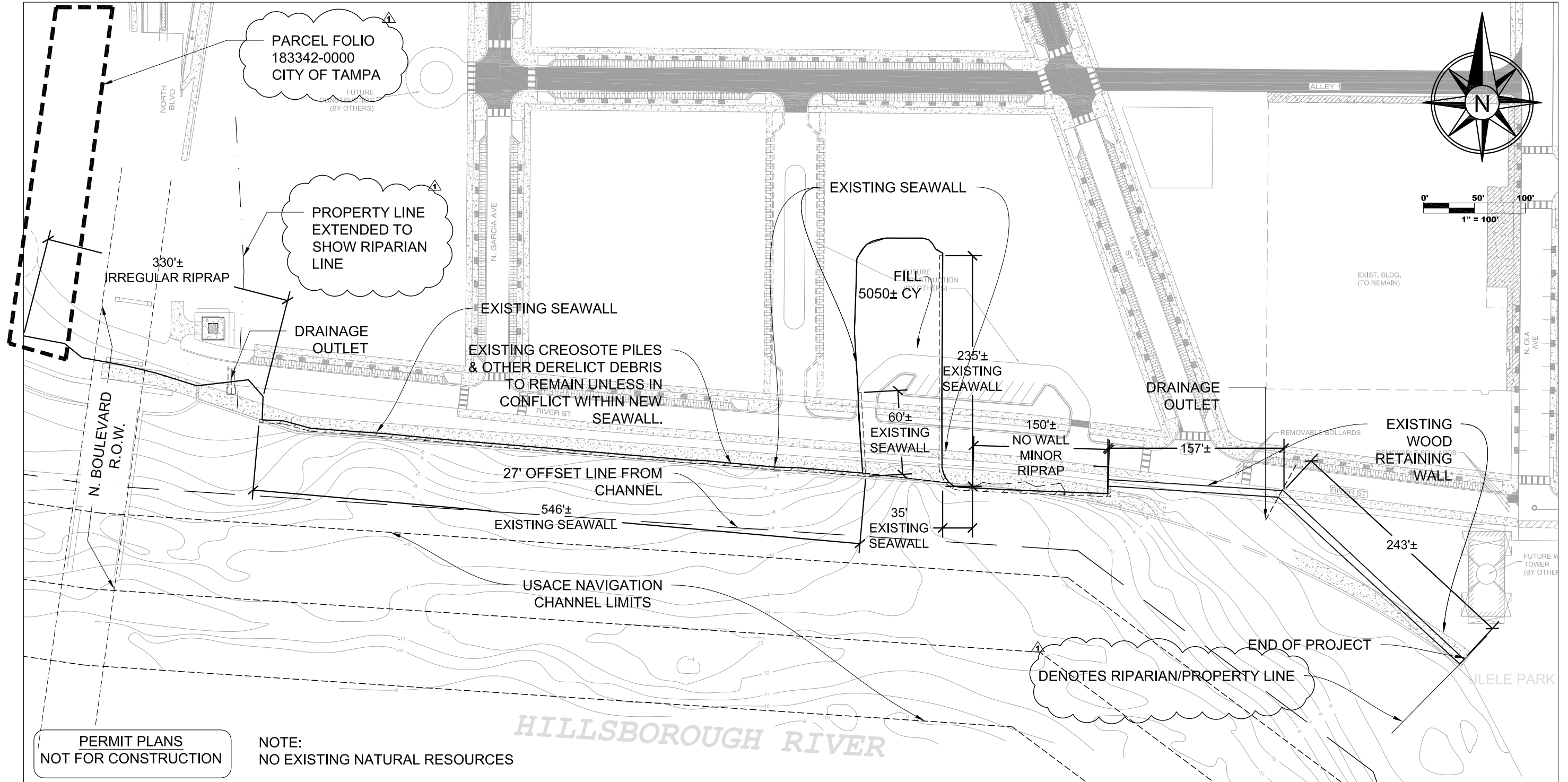
750 94th Ave N • Suite 213 • St. Petersburg, FL 33702 • (T) 727-895-4717 • (F) 727-578-9542

REUBEN CLARSON CONSULTING
FL PROFESSIONAL ENGINEER NO. 16313
(CERT. OF AUTH. NO. 9206)
P: (727) 895-4717 F: (727) 578-9542
WWW.REUBENCLARSONCONSULTING.COM
750 94TH AVENUE NORTH, SUITE 213, ST. PETERSBURG, FL 33702

DATE:	03/24/16	FILE NAME:	CONSTR PLANS
DRAWN BY:	JTF	SHEET:	1 OF 13
CHKD BY:	REC	REV:	PLAN REVISIONS 05/26/16 ▲
SCALE:			PLAN REVISIONS 12/05/16 ▲

**TAMPA HEIGHTS
SHORE PROTECTION
&
DOCKING FACILITY**

PROJECT AREA



PERMIT PLANS
NOT FOR CONSTRUCTION

NOTE:
NO EXISTING NATURAL RESOURCES

EXISTING CONDITIONS

Reuben//Clarson
CONSULTING

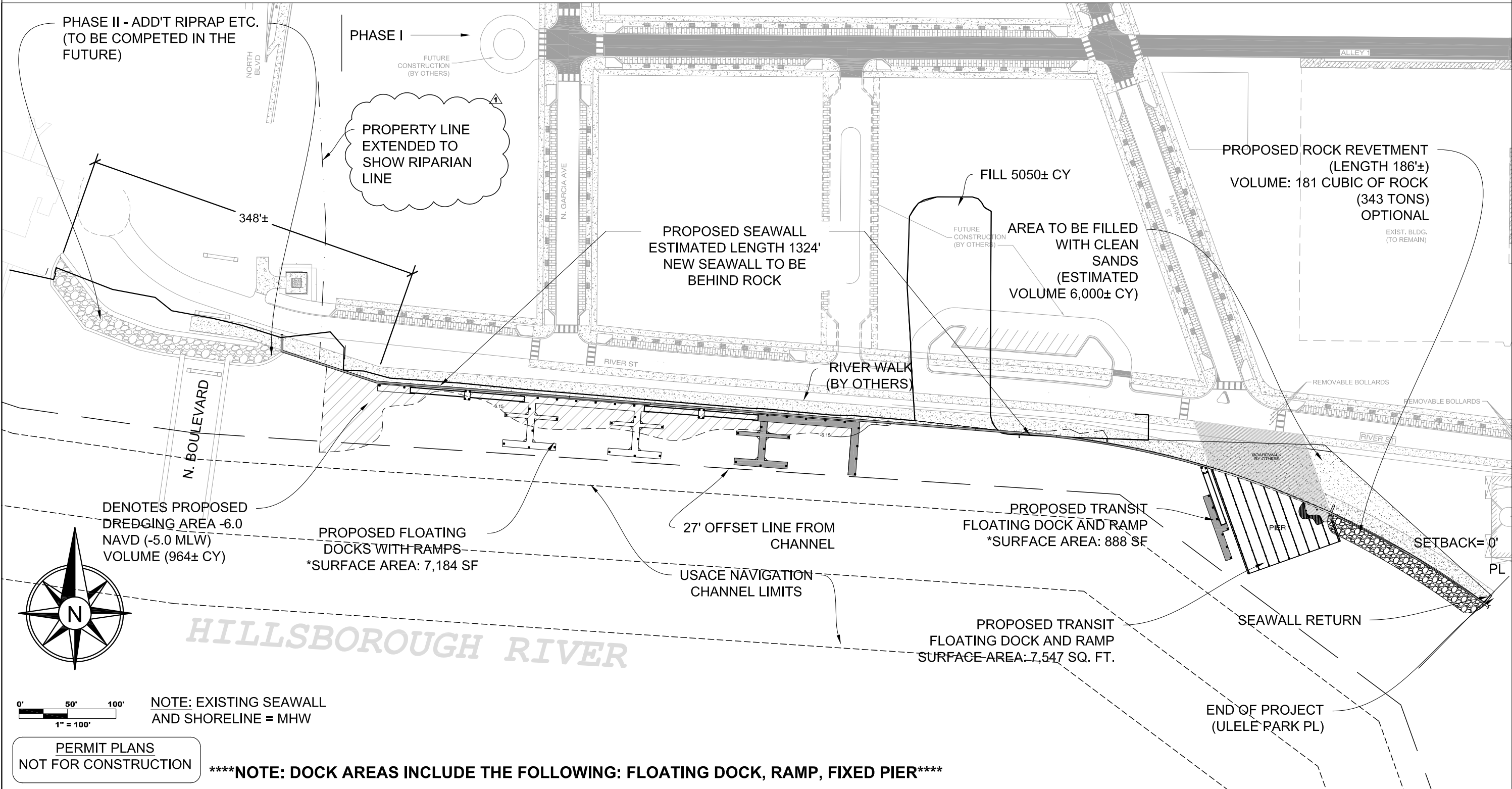
750 94th Ave N • Suite 213 • St. Petersburg, FL 33702 • (T) 727-895-4717 • (F) 727-578-9542

REUBEN CLARSON CONSULTING
FL PROFESSIONAL ENGINEER NO. 16313
(CERT. OF AUTH. NO. 9206)
P: (727) 895-4717 F: (727) 578-9542
WWW.REUBENCLARSONCONSULTING.COM
750 94TH AVENUE NORTH, SUITE 213, ST. PETERSBURG, FL 33702

DATE:	03/24/16	FILE NAME:	CONSTR PLANS
DRAWN BY:	JTF	SHEET:	2 OF 13
CHKD BY:	REC	REV:	PLAN REVISIONS 05/26/16 PLAN REVISIONS 12/05/16
SCALE:			

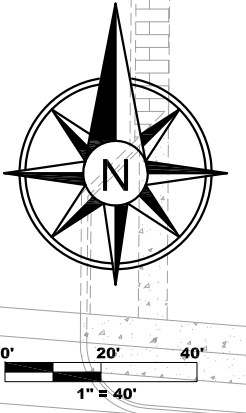
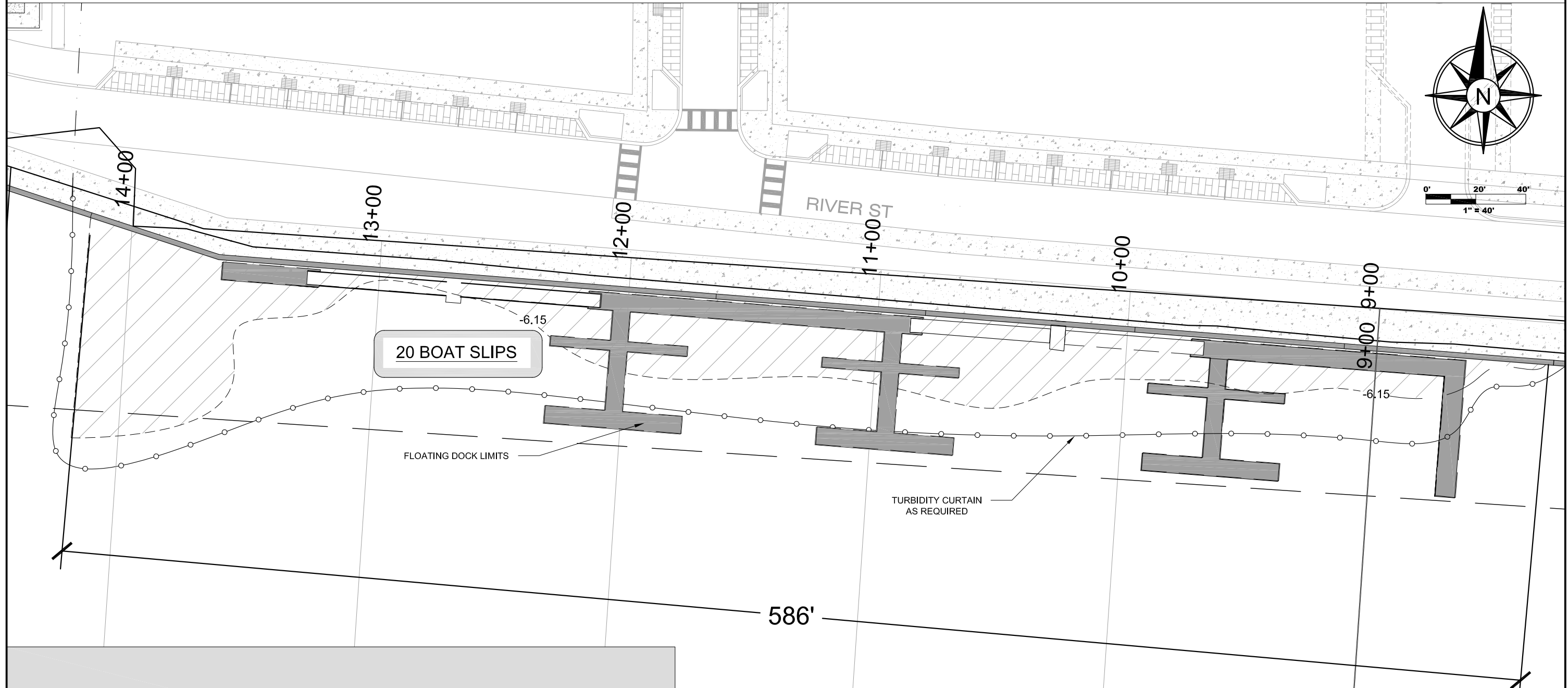
**TAMPA HEIGHTS
SHORE PROTECTION
&
DOCKING FACILITY**

PROJECT AREA



<p>PROJECT OVERVIEW MAP</p>	 <p>750 94th Ave N • Suite 213 • St. Petersburg, FL 33702 • (T) 727-895-4717 • (F) 727-578-9542</p>	<p>REUBEN CLARSON CONSULTING FL PROFESSIONAL ENGINEER NO. 16313 (CERT. OF AUTH. NO. 9206) P: (727) 895-4717 F: (727) 578-9542 WWW.REUBENCLARSONCONSULTING.COM 750 94TH AVENUE NORTH, SUITE 213, ST. PETERSBURG, FL 33702</p>	<p>DATE: 03/24/16 DRAWN BY: JTF CHKD BY: REC SCALE: 1" = 100'</p>	<p>FILE NAME: CONSTR PLANS SHEET: 3 OF 13 REV: PLAN REVISIONS 05/26/16 PLAN REVISIONS 12/05/16</p>	<p>TAMPA HEIGHTS SHORE PROTECTION & DOCKING FACILITY</p>
------------------------------------	---	--	--	---	---

DREDGE AREA



LEGEND

- PROPOSED DREDGE AREA
- TURBIDITY CURTAIN

PERMIT PLANS
NOT FOR CONSTRUCTION

DREDGE PLAN

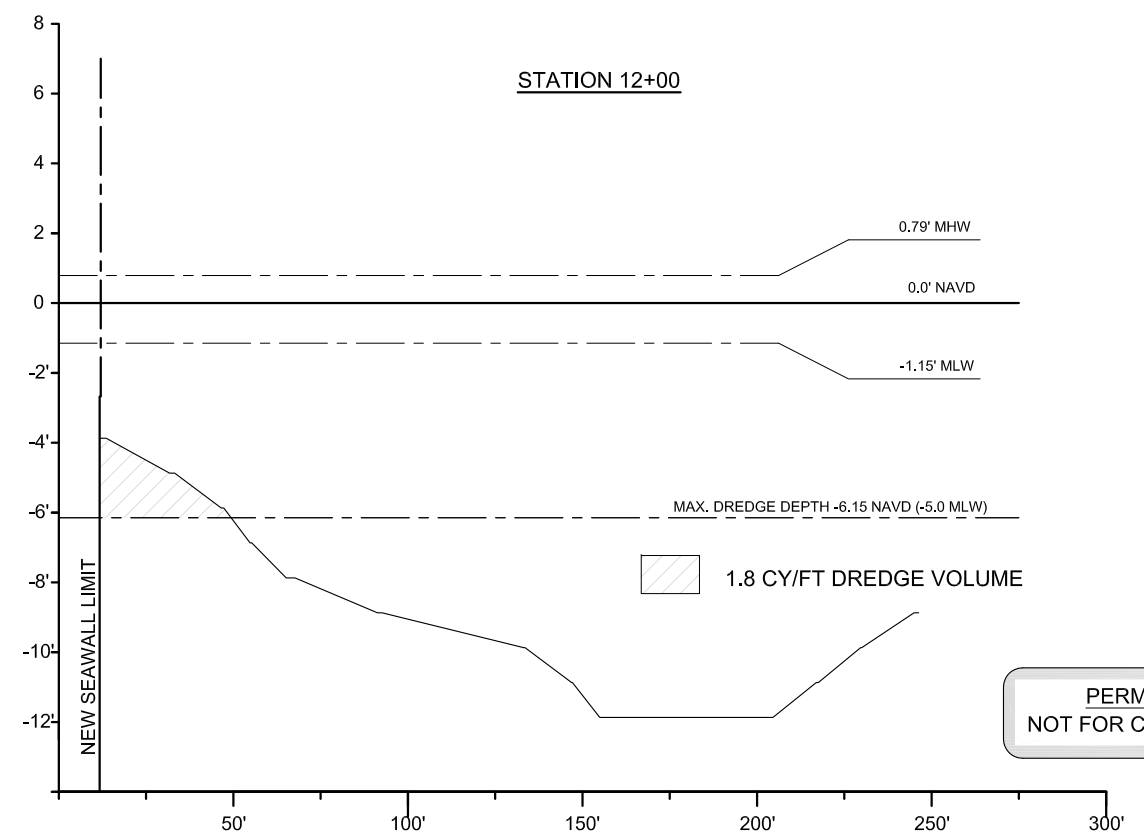
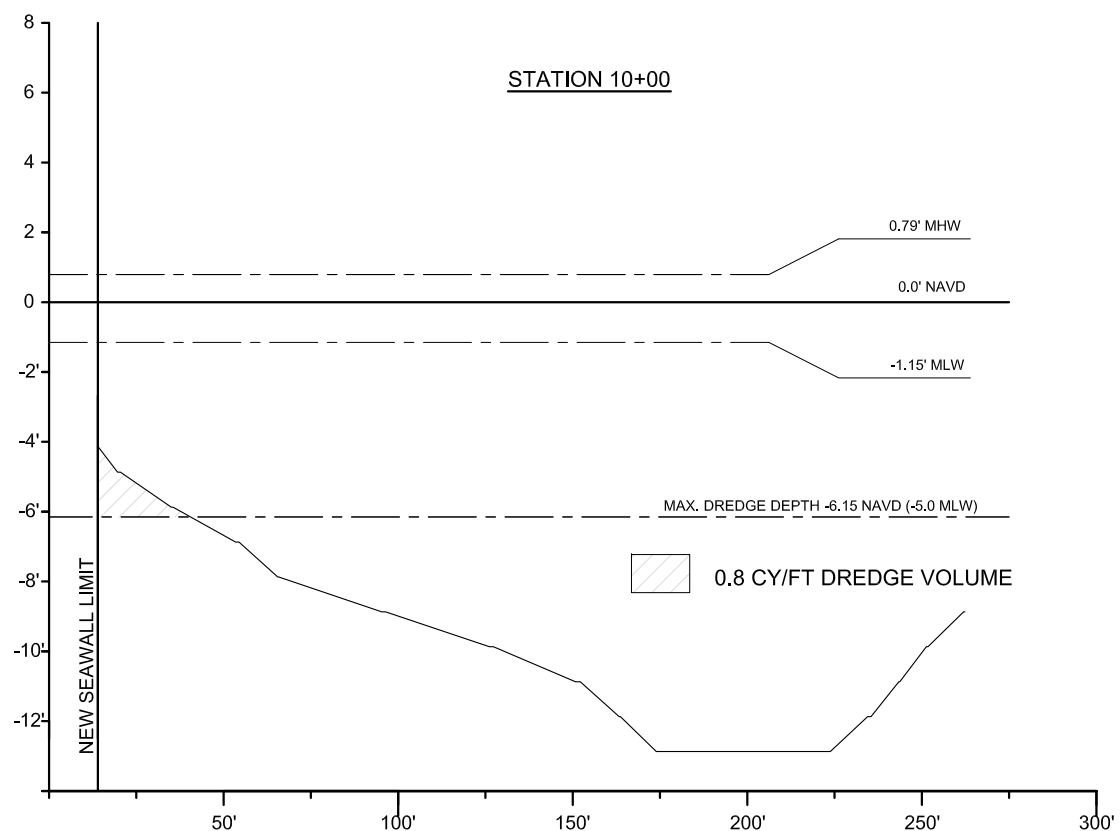
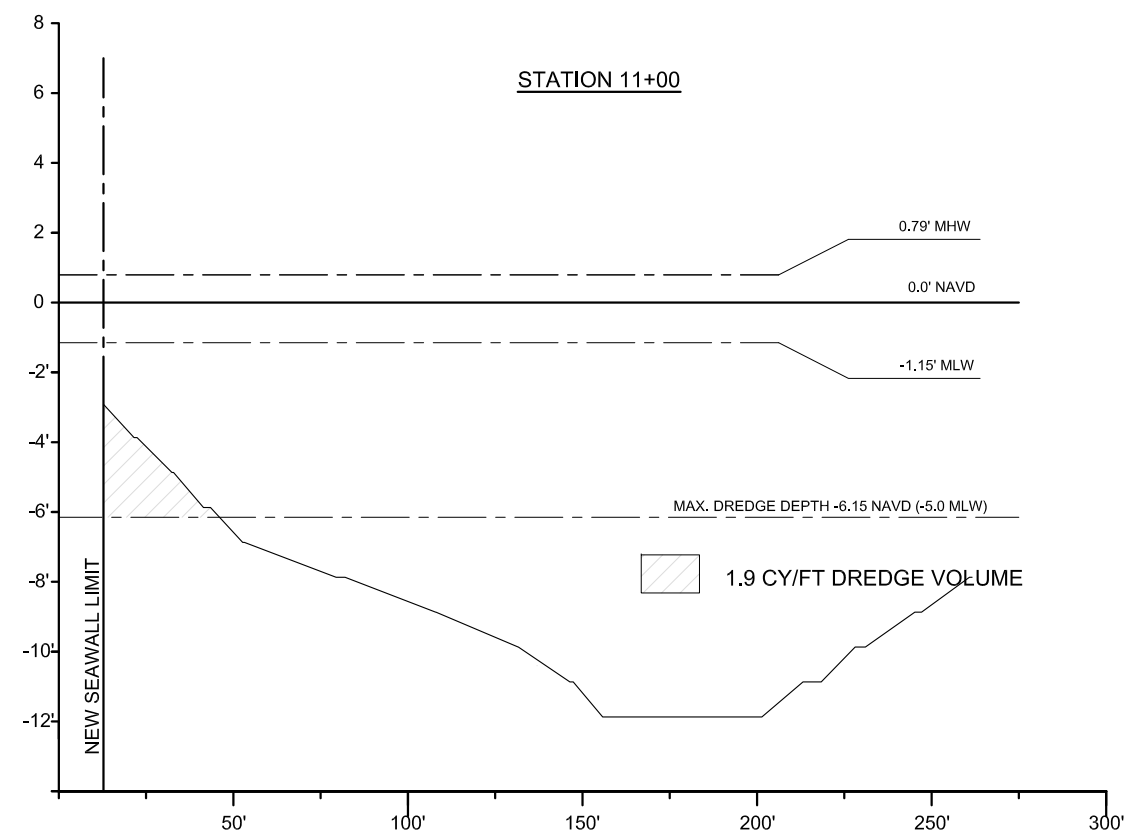
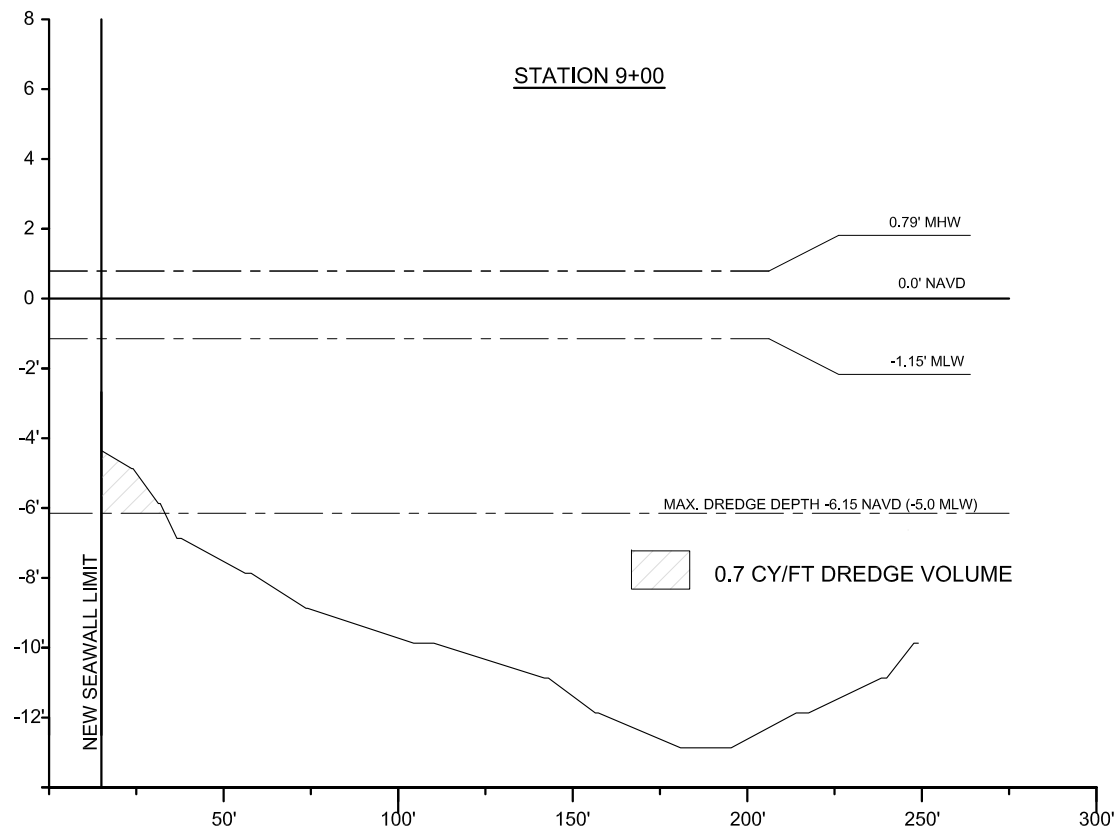
Reuben//Clarson
CONSULTING

750 94th Ave N • Suite 213 • St. Petersburg, FL 33702 • (T) 727-895-4717 • (F) 727-578-9542

REUBEN CLARSON CONSULTING
 FL PROFESSIONAL ENGINEER NO. 16313
 (CERT. OF AUTH. NO. 9206)
 P: (727) 895-4717 F: (727) 578-9542
 WWW.REUBENCLARSONCONSULTING.COM
 750 94TH AVENUE NORTH, SUITE 213, ST. PETERSBURG, FL 33702

DATE: 03/24/16	FILE NAME: CONSTR PLANS
DRAWN BY: JTF	SHEET: 4 OF 13
CHKD BY: REC	REV: PLAN REVISIONS 05/26/16 ▲
SCALE: 1" = 40'	PLAN REVISIONS 12/05/16 ▲

**TAMPA HEIGHTS
SHORE PROTECTION
&
DOCKING FACILITY**



PERMIT PLANS
NOT FOR CONSTRUCTION

DREDGE SECTIONS

Reuben//Clarson
CONSULTING

750 94th Ave N • Suite 213 • St. Petersburg, FL 33702 • (T) 727-895-4717 • (F) 727-578-9542

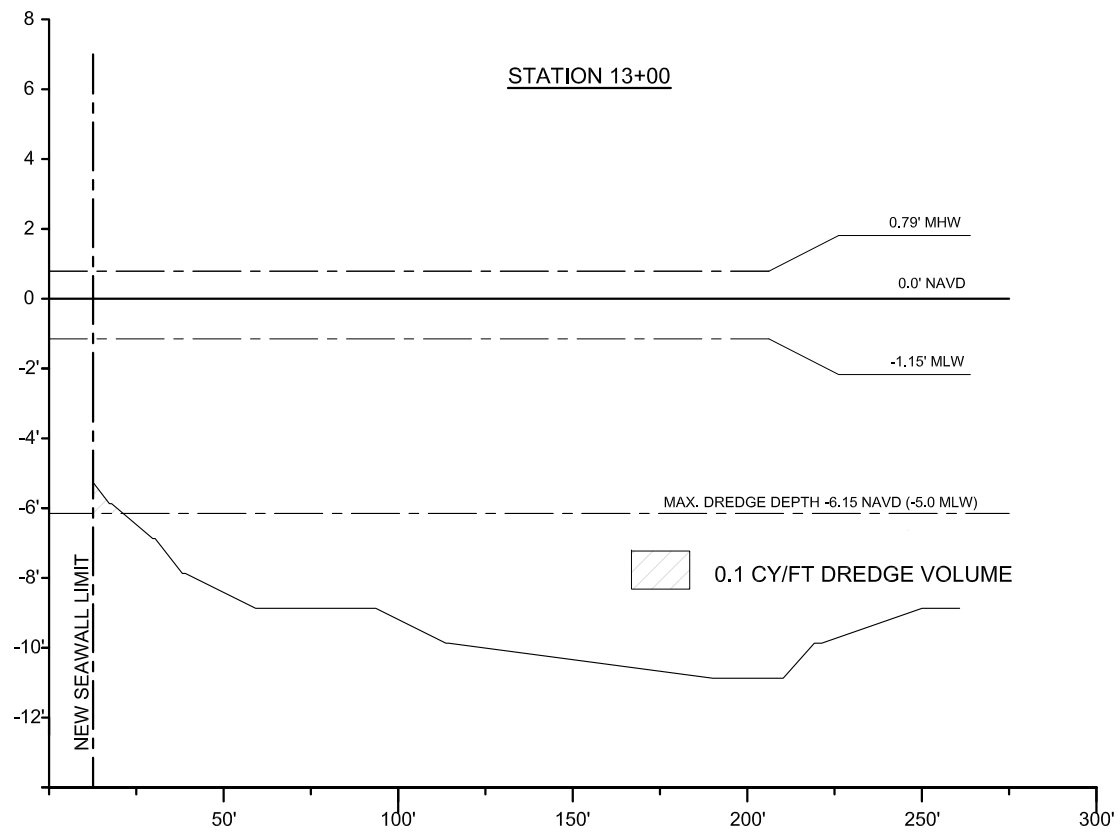
REUBEN CLARSON CONSULTING
FL PROFESSIONAL ENGINEER NO. 16313
(CERT. OF AUTH. NO. 9206)

P: (727) 895-4717 F: (727) 578-9542

WWW.REUBENCLARSONCONSULTING.COM
750 94TH AVENUE NORTH, SUITE 213, ST. PETERSBURG, FL 33702

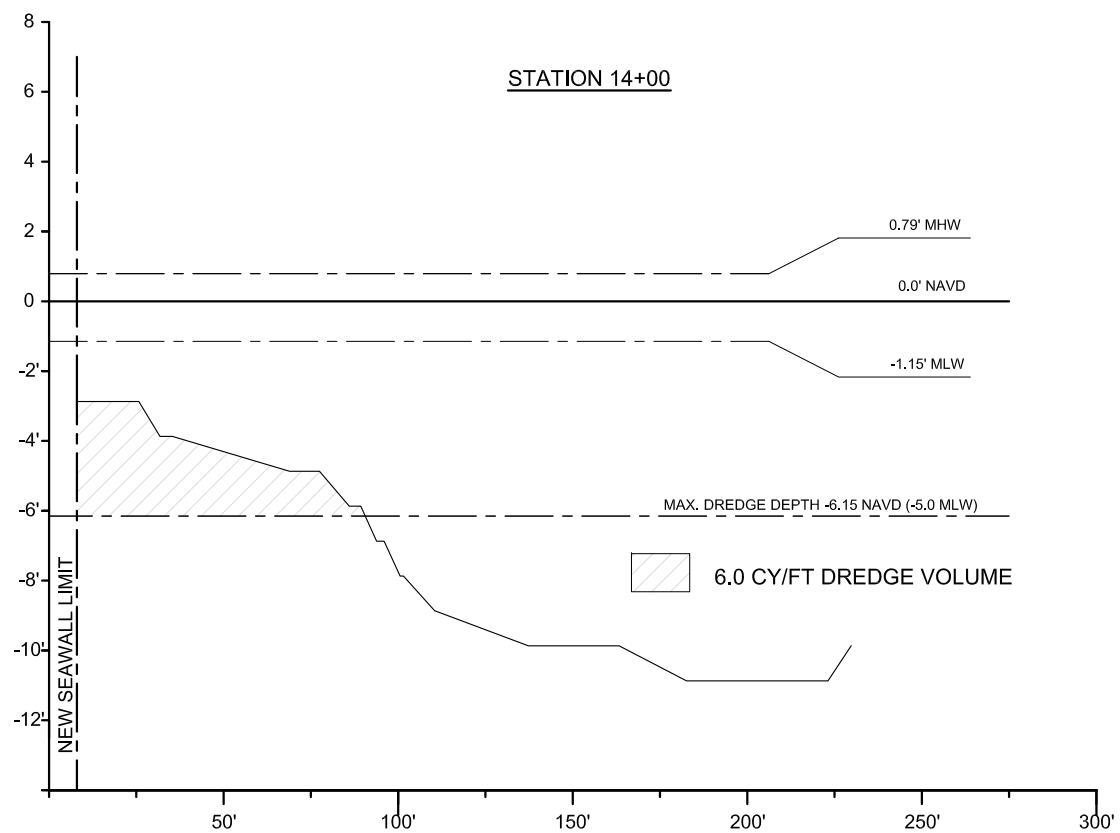
DATE: 03/24/16	FILE NAME: CONSTR PLANS
DRAWN BY: JTF	SHEET: 5 OF 13
CHKD BY: REC	REV: PLAN REVISIONS 05/26/16 PLAN REVISIONS 12/05/16
SCALE:	

**TAMPA HEIGHTS
SHORE PROTECTION
&
DOCKING FACILITY**



Volume Calculations

Station	Influence Dist (ft)	CY/FT	CY
9+00	120	0.7	84
10+00	100	0.8	80
11+00	100	1.9	190
12+00	100	1.8	180
13+00	100	0.1	10
14+00	70	6.0	420
		Total CY	964



PERMIT PLANS
NOT FOR CONSTRUCTION

DREDGE SECTIONS

Reuben//Clarson
CONSULTING

750 94th Ave N • Suite 213 • St. Petersburg, FL 33702 • (T) 727-895-4717 • (F) 727-578-9542

REUBEN CLARSON CONSULTING
FL PROFESSIONAL ENGINEER NO. 16313
(CERT. OF AUTH. NO. 9206)

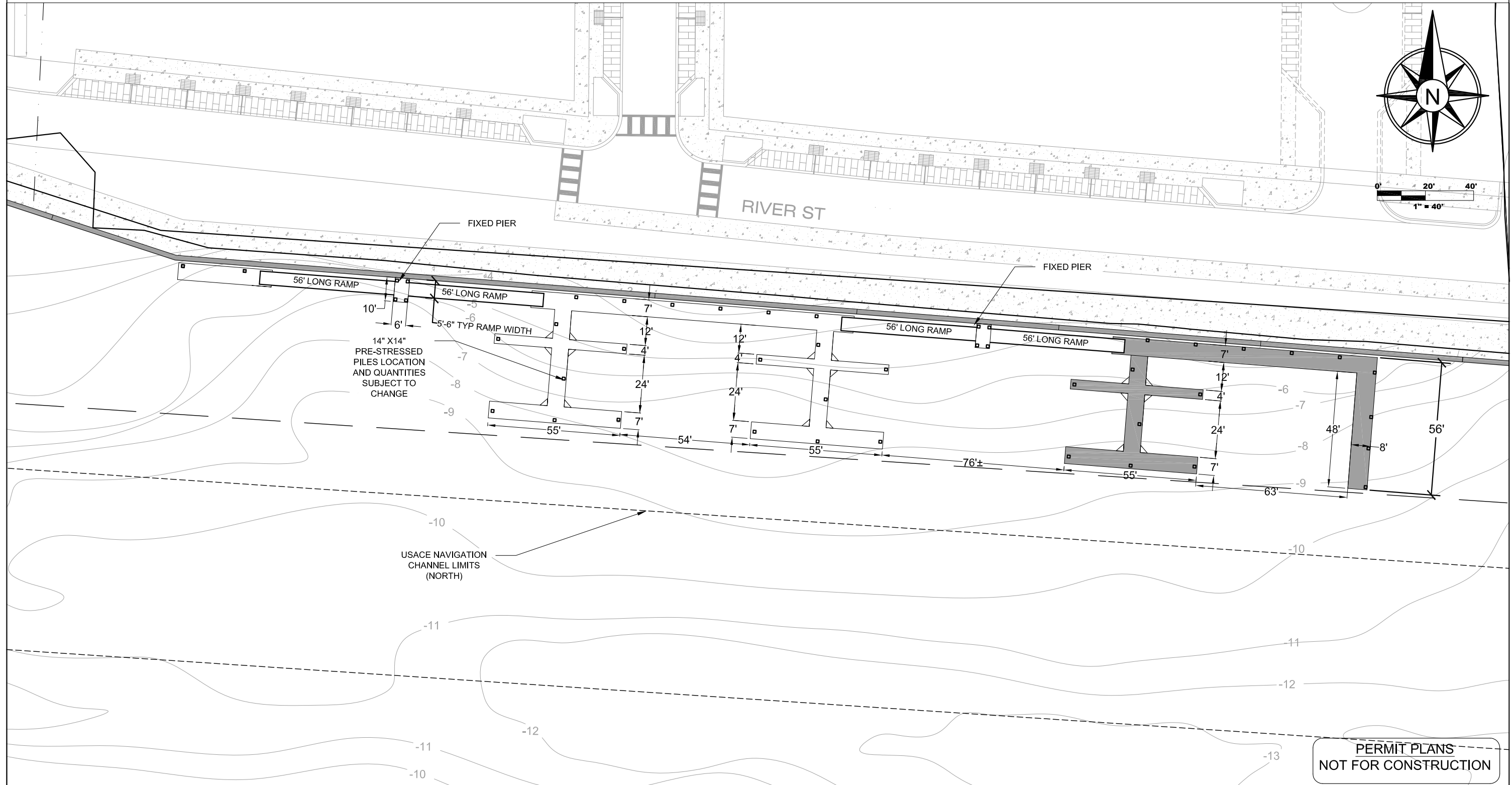
P: (727) 895-4717 F: (727) 578-9542

WWW.REUBENCLARSONCONSULTING.COM
750 94TH AVENUE NORTH, SUITE 213, ST. PETERSBURG, FL 33702

DATE: 03/24/16	FILE NAME: CONSTR PLANS
DRAWN BY: JTF	SHEET: 6 OF 13
CHKD BY: REC	REV: PLAN REVISIONS 05/26/16 ▲
SCALE:	PLAN REVISIONS 12/05/16 ▲

**TAMPA HEIGHTS
SHORE PROTECTION
&
DOCKING FACILITY**

FLOATING DOCK AREA



PERMIT PLANS
NOT FOR CONSTRUCTION

**SITE PLAN
FLOATING DOCK**

Reuben//Clarson
CONSULTING

750 94th Ave N • Suite 213 • St. Petersburg, FL 33702 • (T) 727-895-4717 • (F) 727-578-9542

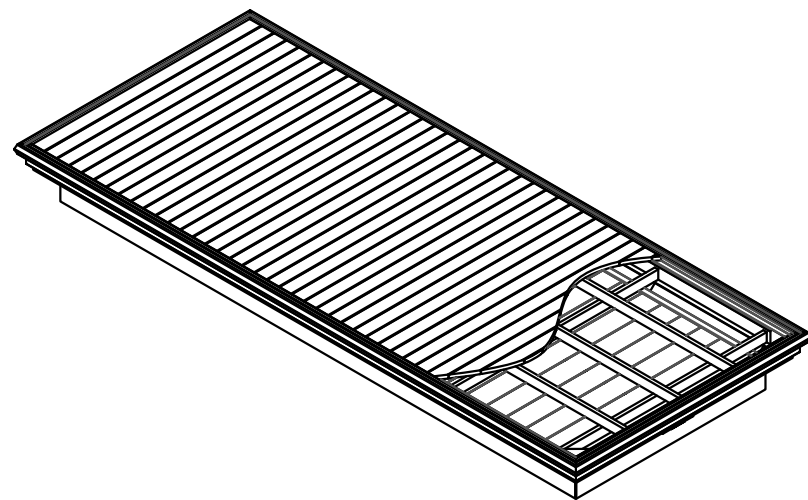
REUBEN CLARSON CONSULTING
FL PROFESSIONAL ENGINEER NO. 16313
(CERT. OF AUTH. NO. 9206)

P: (727) 895-4717 F: (727) 578-9542
WWW.REUBENCLARSONCONSULTING.COM
750 94TH AVENUE NORTH, SUITE 213, ST. PETERSBURG, FL 33702

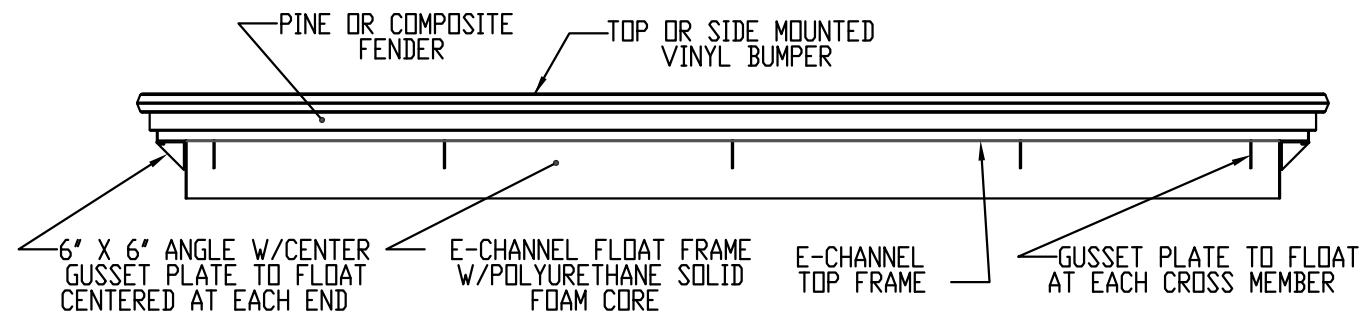
DATE: 03/24/16
DRAWN BY: JTF
CHKD BY: REC
SCALE: 1" = 40'

FILE NAME: CONSTR PLANS
SHEET: 7 OF 13
REV: PLAN REVISIONS 05/26/16
PLAN REVISIONS 12/05/16

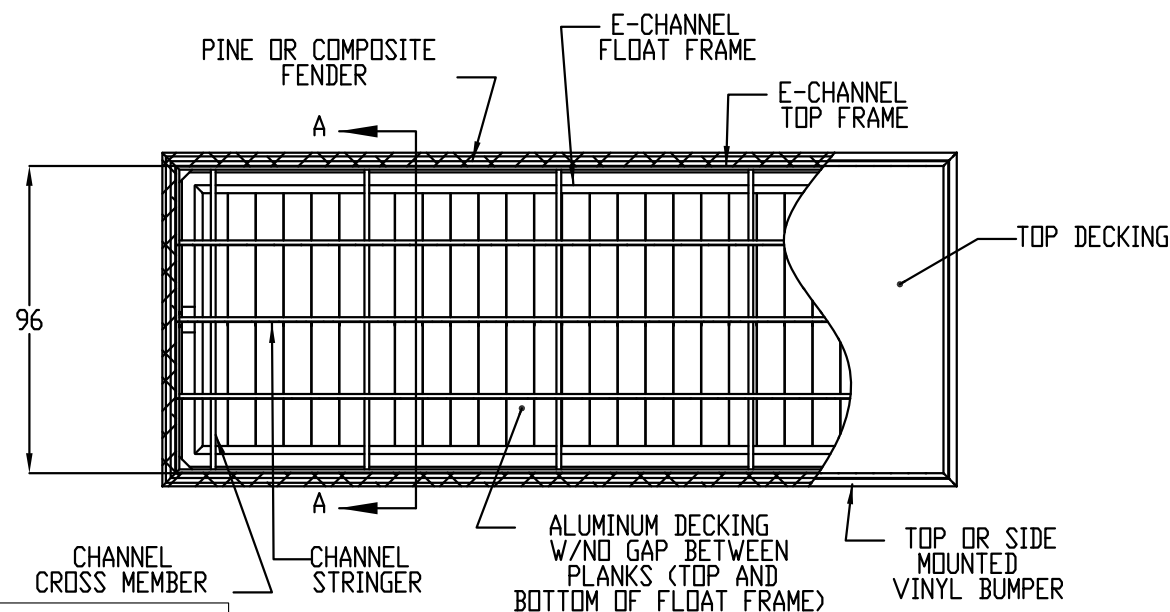
**TAMPA HEIGHTS
SHORE PROTECTION
&
DOCKING FACILITY**



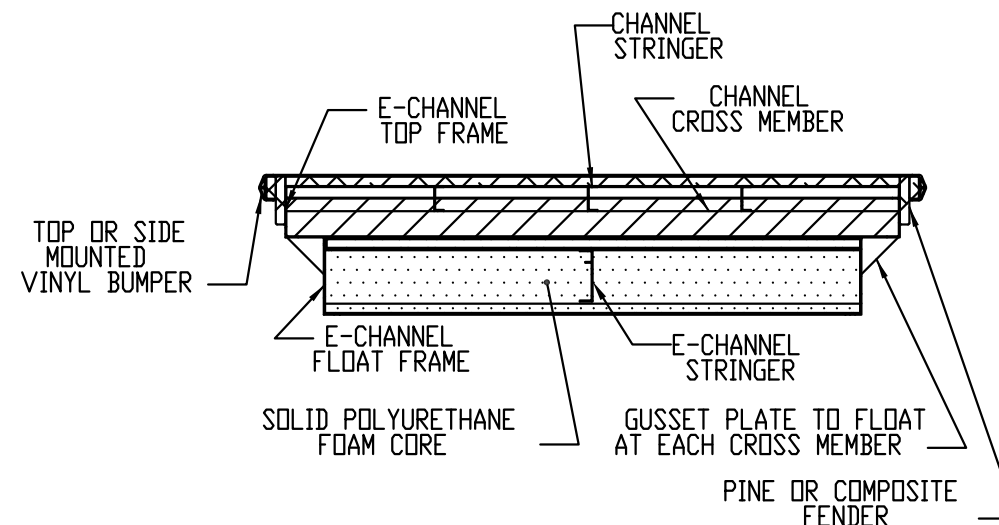
ISOMETRIC VIEW OF ALUMINUM TOP DECKED FULL FLOATING DOCK
SCALE: NTS



ELEVATION VIEW FOR TOP DECKED FULL FLOATING DOCK
SCALE: NTS



PLAN VIEW OF ALUMINUM TOP DECKED FULL FLOATING DOCK
SCALE: NTS



SECTION A-A
SCALE: NTS

DRAWINGS COURTESY OF:



GATOR DOCK
Marine Access Solutions

2880 MELLONVILLE AVE, SANFORD, FL 32773
800/256-8857 407/323-0190

PERMIT PLANS
NOT FOR CONSTRUCTION

FLOATING DOCK
TYPICAL DETAILS

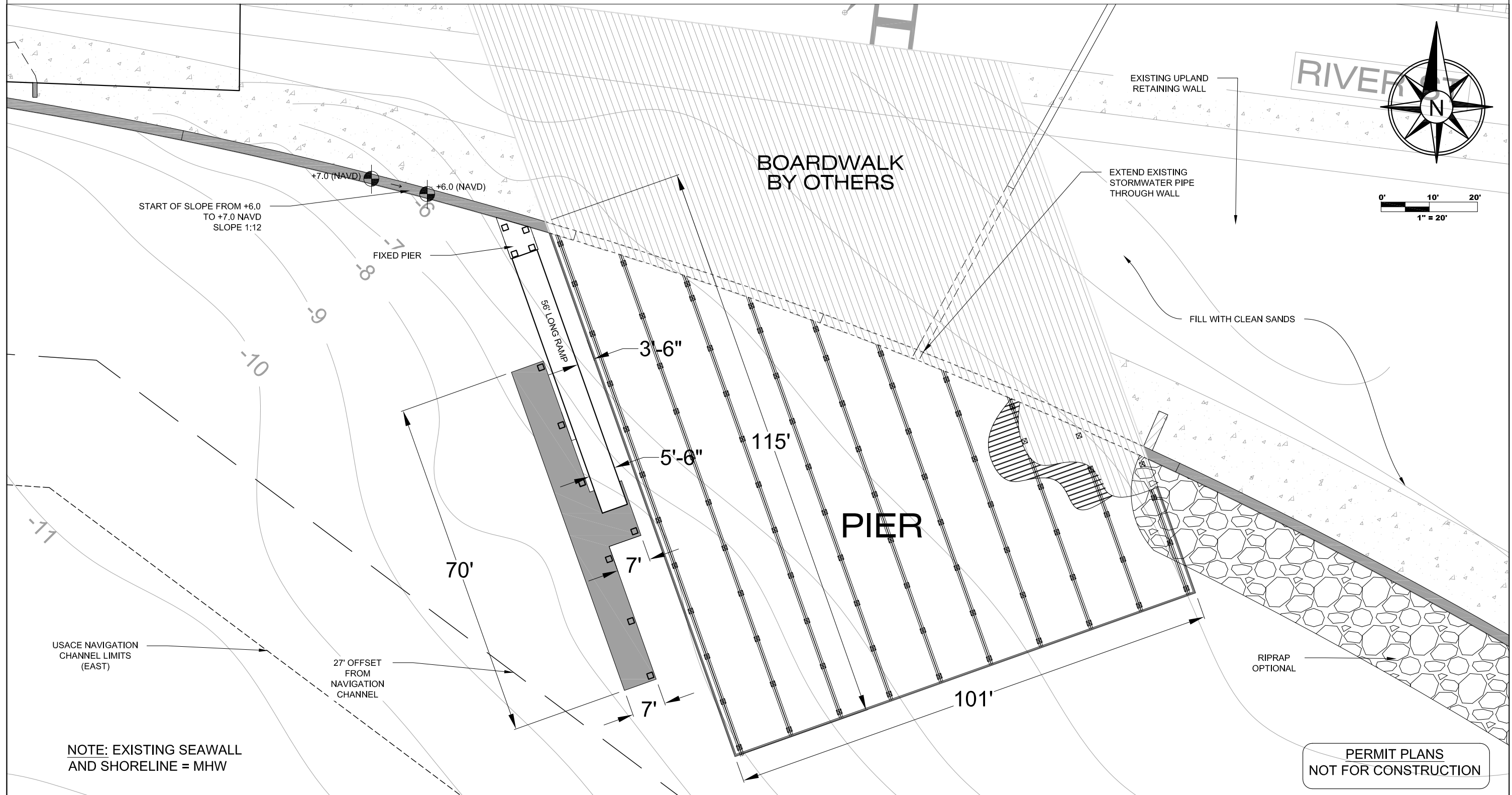
Reuben/Clarson
CONSULTING
750 94th Ave N • Suite 213 • St. Petersburg, FL 33702 • (T) 727-895-4717 • (F) 727-578-9542

REUBEN CLARSON CONSULTING
FL PROFESSIONAL ENGINEER NO. 16313
(CERT. OF AUTH. NO. 9206)
P: (727) 895-4717 F: (727) 578-9542
WWW.REUBENCLARSONCONSULTING.COM
750 94TH AVENUE NORTH, SUITE 213, ST. PETERSBURG, FL 33702

DATE: 03/24/16
FILE NAME: CONSTR PLANS
DRAWN BY: JTF
SHEET: 8 OF 13
CHKD BY: REC
REV:
SCALE:
PLAN REVISIONS 05/26/16
PLAN REVISIONS 12/05/16

TAMPA HEIGHTS
SHORE PROTECTION
&
DOCKING FACILITY

TRANSIT DOCK AREA



SITE PLAN
TRANSIT DOCK

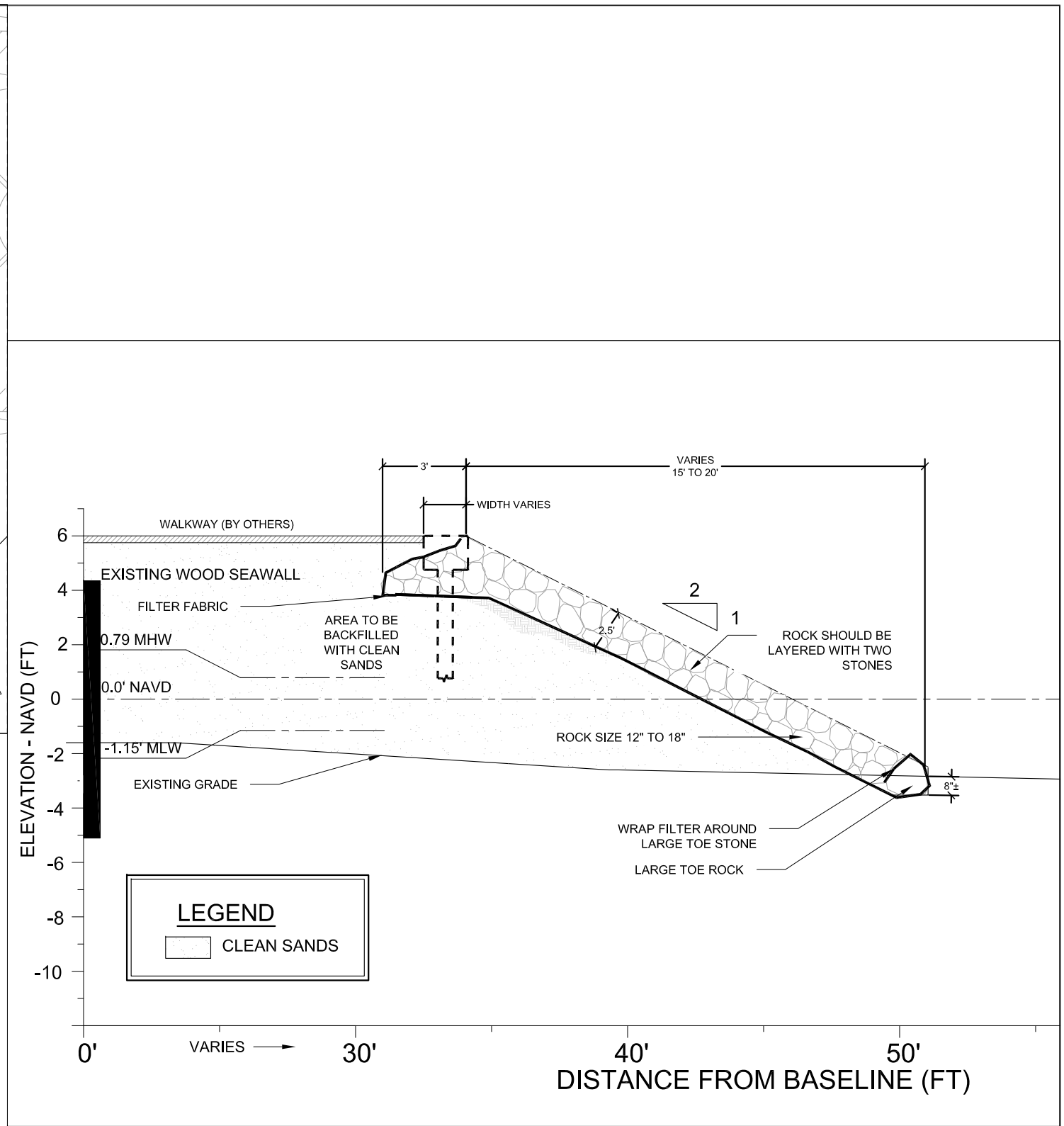
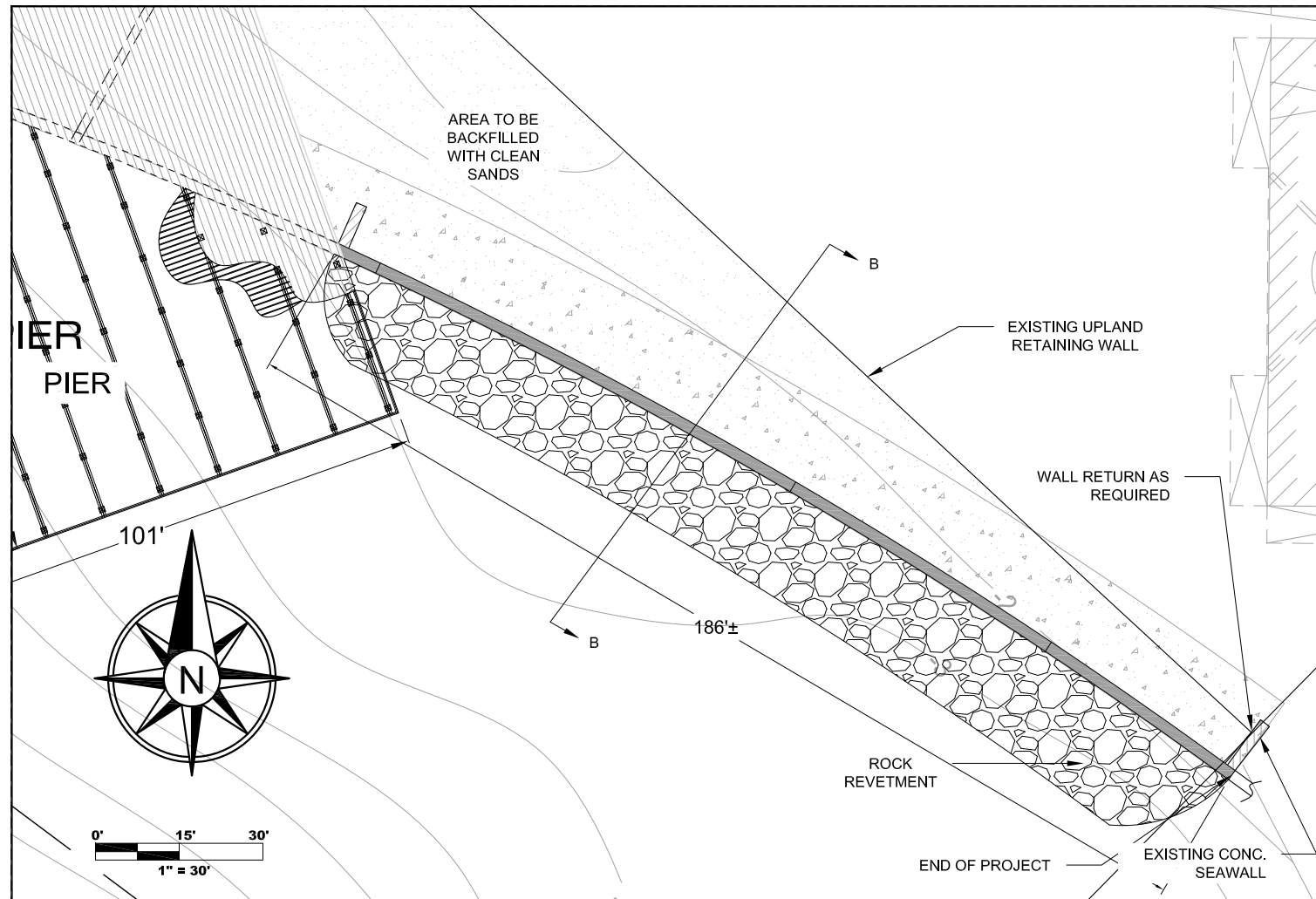


REUBEN CLARSON CONSULTING
 FL PROFESSIONAL ENGINEER NO. 16313
 (CERT. OF AUTH. NO. 9206)
 P: (727) 895-4717 F: (727) 578-9542
 WWW.REUBENCLARSONCONSULTING.COM
 750 94TH AVENUE NORTH, SUITE 213, ST. PETERSBURG, FL 33702

DATE: 03/24/16
 DRAWN BY: JTF
 CHKD BY: REC
 SCALE: 1" = 20'

FILE NAME: CONSTR PLANS
 SHEET: 9 OF 13
 REV:
 PLAN REVISIONS 05/26/16
 PLAN REVISIONS 12/05/16

TAMPA HEIGHTS
 SHORE PROTECTION
 &
 DOCKING FACILITY



TYPICAL SECTION

PERMIT PLANS
NOT FOR CONSTRUCTION

**ROCK REVETMENT
&
DETAILS**

Reuben//Clarson
CONSULTING

750 94th Ave N • Suite 213 • St. Petersburg, FL 33702 • (T) 727-895-4717 • (F) 727-578-9542

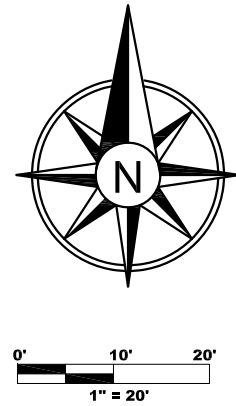
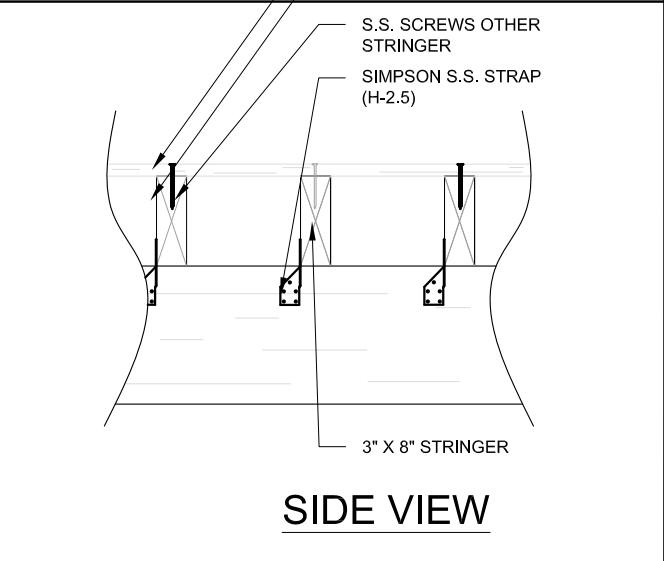
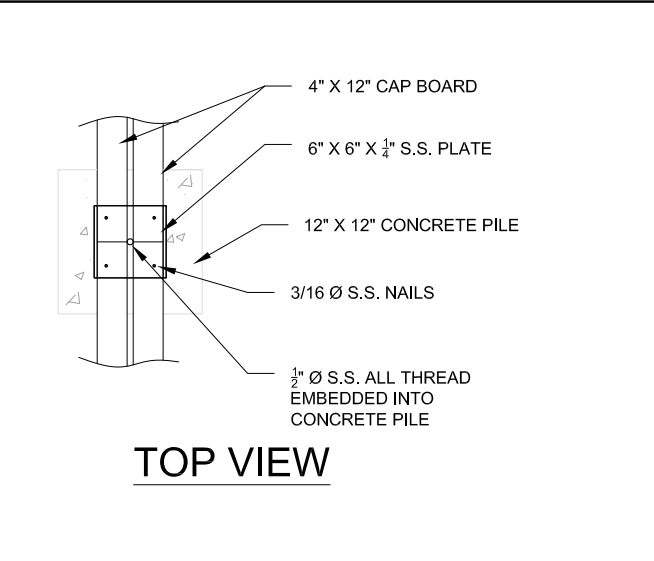
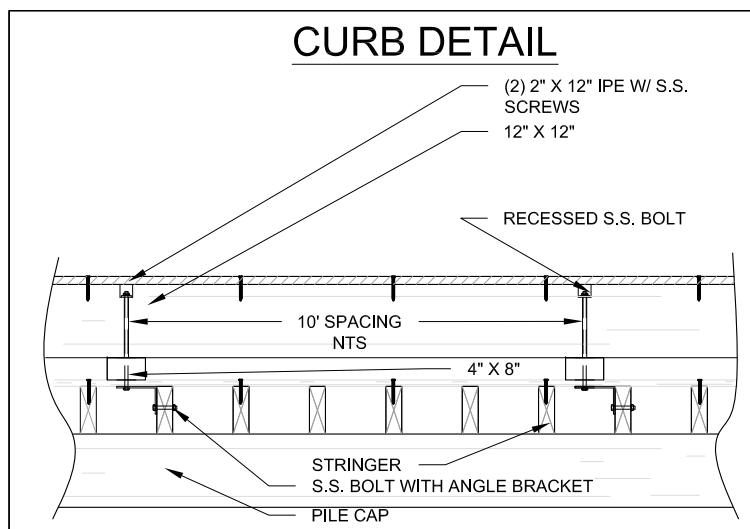
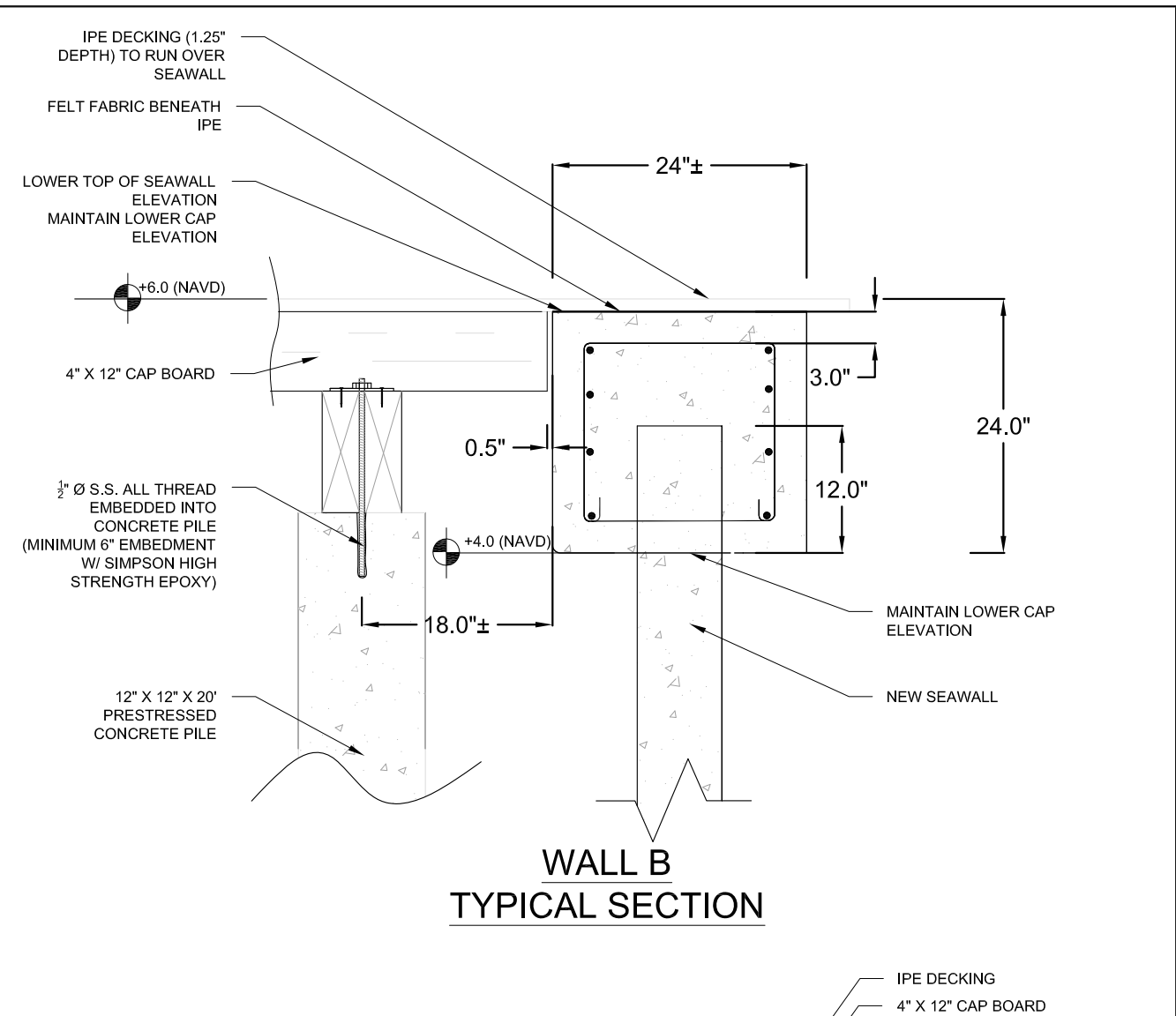
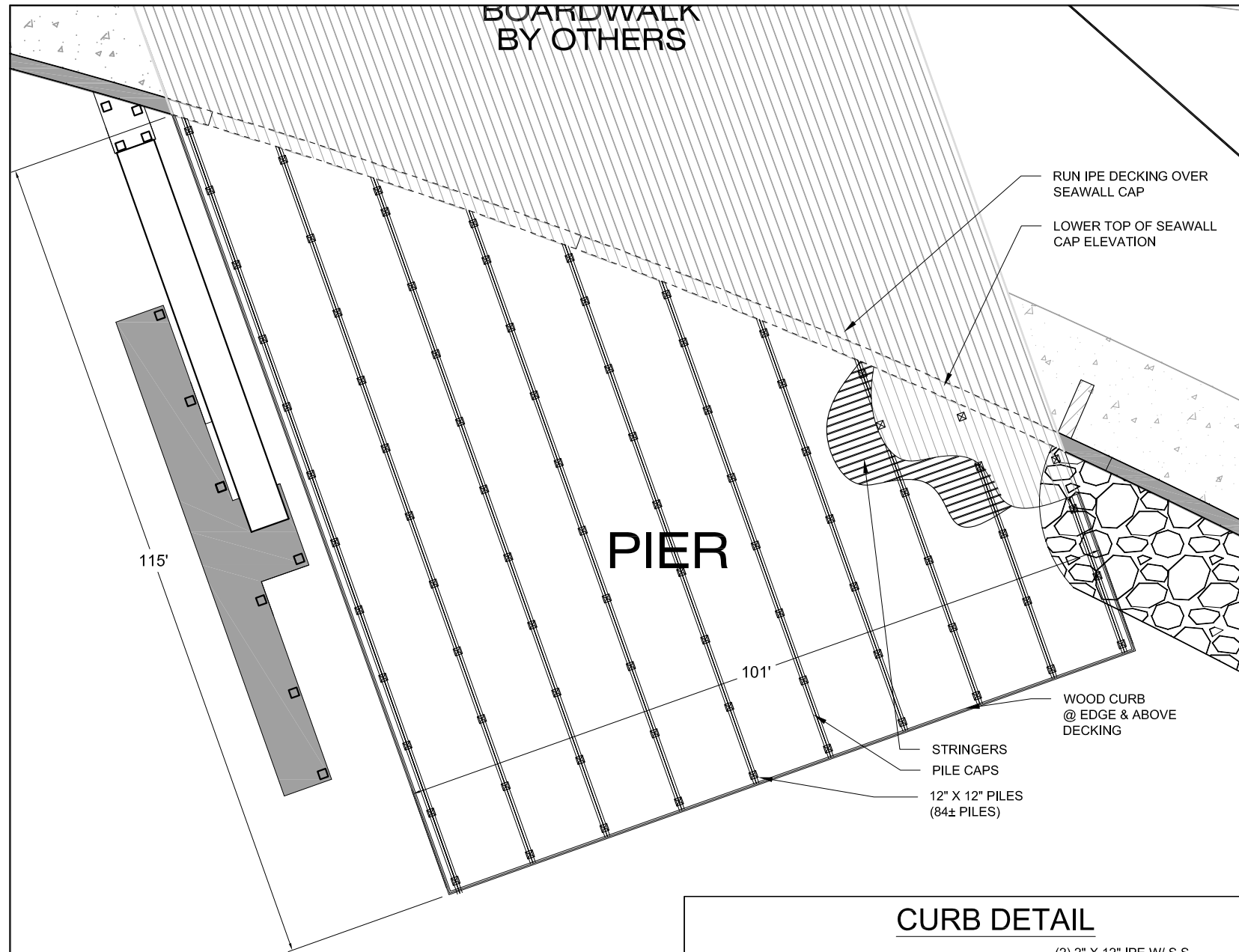
REUBEN CLARSON CONSULTING
FL PROFESSIONAL ENGINEER NO. 16313
(CERT. OF AUTH. NO. 9206)

P: (727) 895-4717 F: (727) 578-9542

WWW.REUBENCLARSONCONSULTING.COM
750 94TH AVENUE NORTH, SUITE 213, ST. PETERSBURG, FL 33702

DATE: 03/24/16	FILE NAME: CONSTR PLANS
DRAWN BY: JTF	SHEET: 10 OF 13
CHKD BY: REC	REV: PLAN REVISIONS 05/26/16 PLAN REVISIONS 12/05/16
SCALE: AS SHOWN	

**TAMPA HEIGHTS
SHORE PROTECTION
&
DOCKING FACILITY**



PERMIT PLANS
NOT FOR CONSTRUCTION

PIER SITE PLAN
&
DETAILS

Reuben/Clarson
CONSULTING

750 94th Ave N • Suite 213 • St. Petersburg, FL 33702 • (T) 727-895-4717 • (F) 727-578-9542

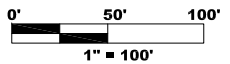
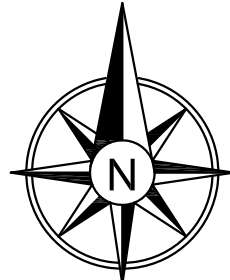
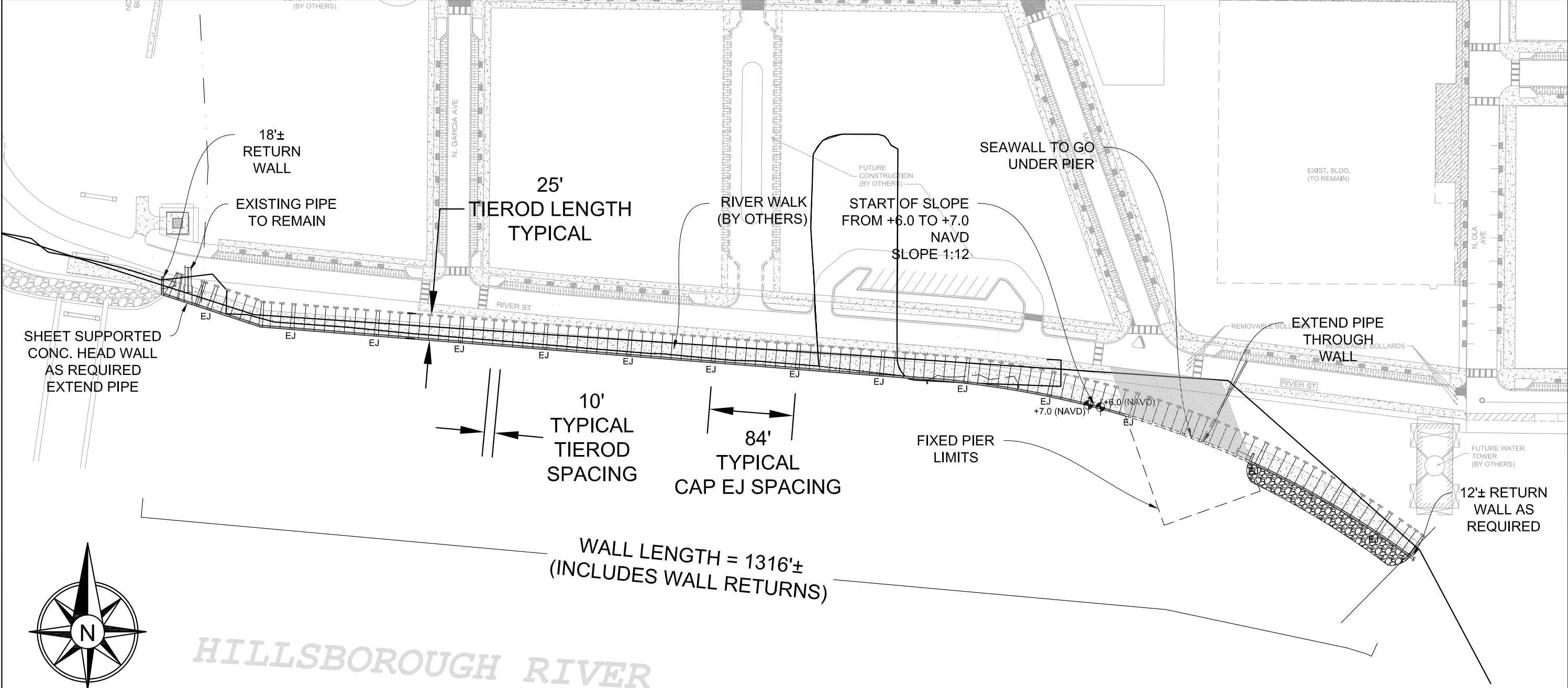
REUBEN CLARSON CONSULTING
FL PROFESSIONAL ENGINEER NO. 16313
(CERT. OF AUTH. NO. 9206)
P: (727) 895-4717 F: (727) 578-9542
WWW.REUBENCLARSONCONSULTING.COM
750 94TH AVENUE NORTH, SUITE 213, ST. PETERSBURG, FL 33702

DATE:	
DRAWN BY:	JTF
CHKD BY:	REC
SCALE:	AS SHOWN

FILE NAME:	CONSTR PLANS
SHEET:	11 OF 13
REV:	PLAN REVISIONS 05/26/16 PLAN REVISIONS 12/05/16

TAMPA HEIGHTS
SHORE PROTECTION
&
DOCKING FACILITY

SEAWALL PLAN

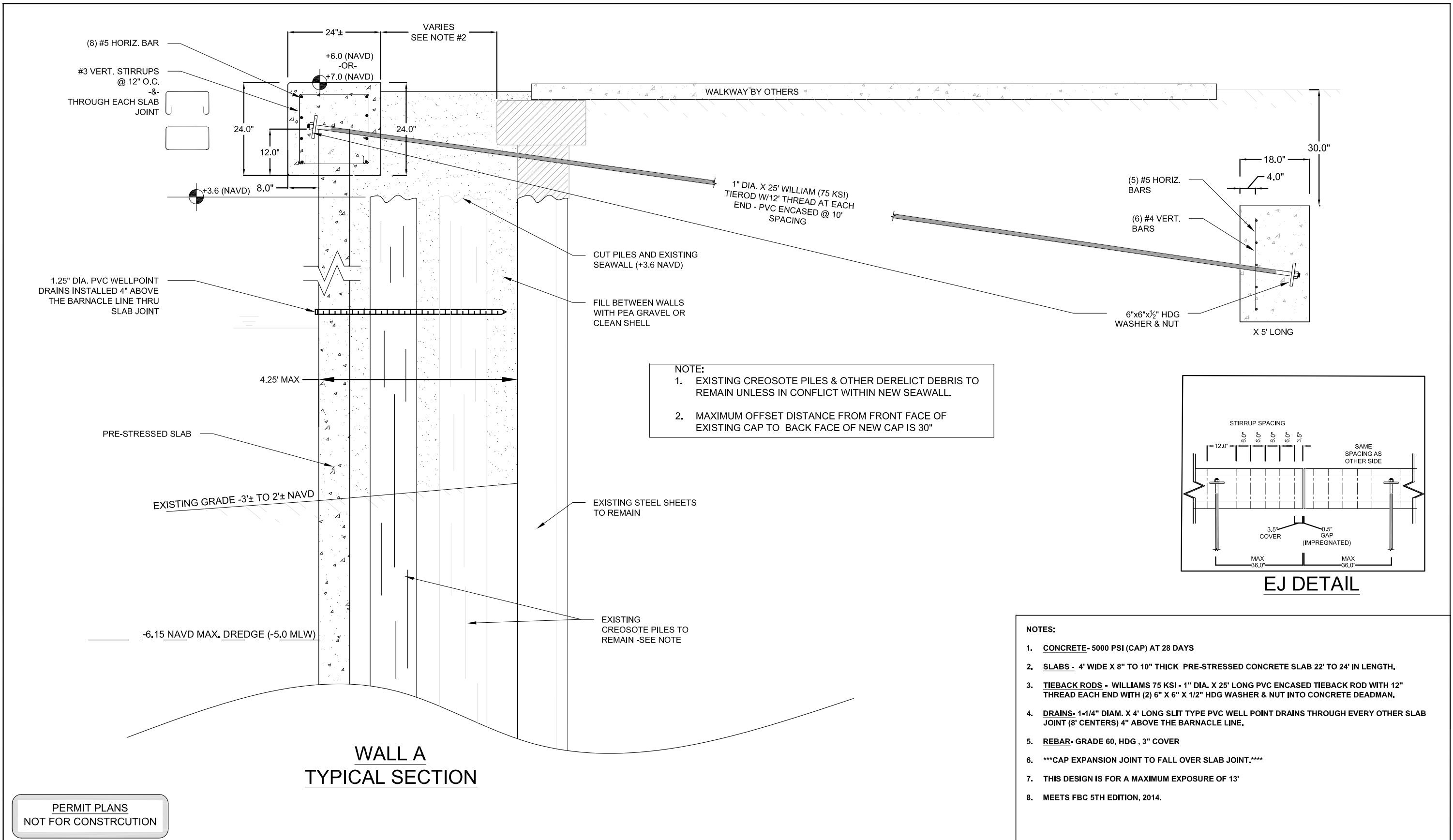


PERMIT PLANS
NOT FOR CONSTRUCTION

HILLSBOROUGH RIVER

WALL LENGTH = 1316'±
(INCLUDES WALL RETURNS)

SEAWALL SITE PLAN	<p style="font-size: 0.8em;">750 94th Ave N • Suite 213 • St. Petersburg, FL 33702 • (T) 727-895-4717 • (F) 727-578-9542</p>	REUBEN CLARSON CONSULTING FL PROFESSIONAL ENGINEER NO. 16313 (CERT. OF AUTH. NO. 9206) P: (727) 895-4717 F: (727) 578-9542 WWW.REUBENCLARSONCONSULTING.COM 750 94TH AVENUE NORTH, SUITE 213, ST. PETERSBURG, FL 33702	DATE: 03/24/16 DRAWN BY: JTF CHKD BY: REC SCALE: 1:100	FILE NAME: CONSTR PLANS SHEET: 12 of 13 REV: PLAN REVISIONS 05/26/16 PLAN REVISIONS 12/05/16	TAMPA HEIGHTS SHORE PROTECTION & DOCKING FACILITY
------------------------------	--	--	---	---	--



PERMIT PLANS
NOT FOR CONSTRUCTION

SEAWALL DETAIL

Reuben//Clarson
CONSULTING

750 94th Ave N • Suite 213 • St. Petersburg, FL 33702 • (T) 727-895-4717 • (F) 727-578-9542

REUBEN CLARSON CONSULTING
FL PROFESSIONAL ENGINEER NO. 16313
(CERT. OF AUTH. NO. 9206)

P: (727) 895-4717 F: (727) 578-9542

WWW.REUBENCLARSONCONSULTING.COM

750 94TH AVENUE NORTH, SUITE 213, ST. PETERSBURG, FL 33702

DATE	03/24/16
DRAWN BY:	JTF
CHKD BY:	REC
SCALE:	AS SHOWN

FILE NAME:	CONSTR PLANS
SHEET:	13 of 13
REV:	PLAN REVISIONS 05/26/16
	PLAN REVISIONS 12/05/16

**TAMPA HEIGHTS
SHORE PROTECTION
&
DOCKING FACILITY**